

CIS 90 - Spring 2012 - PRACTICE TEST 2 - 30 points

Honor Code:

This is a practice test and you may work with others and use the forum. However on the real test you must work alone.

Name: _____

Practice downloading and emailing the completed test to yourself as an attachment. On the real test you will email your filled-in test to the instructor. Make sure you can read the answers on the test after you have emailed it as an attachment.

Note to instructor:

hiderocks P2 (sun-hwa)

trouble-P2 (sun-hwa)

set permissions on activities (sun-hwa)

trick and treats for Benji (sun-hwa)



Part 1 - Flashcard questions (1 point each)

[Q1] What is the link count of a newly created directory?

[A1] _____

[Q2] A new file named *original* is created
(**touch original**)
link1 and *link2* are hard linked to *original*
(**In original link1; In original link2**)
What is the link count of *link1*?

[A2] _____

[Q3] What command and option is used to remove a directory containing files?

[A3] _____

[Q4] What command would change the group from *cis90* to *cis191* for the file *labxc03*?

[A4] _____

[Q5] What is the numeric permission equivalent of *rwX r-X r--*?

[A5] _____

[Q6] With a *umask* of *077* what permissions would a newly created directory have?

[A6] _____

[Q7] Without having *x* (execute) permission on a directory, is it possible to list the names of the files it contains?

[A7] _____

[Q8] What happens if you type this command?
> mythesis

[A8] _____

[Q9] What symbol is used to pipe the standard output (stdout) of one command to the standard input (stdin) of another?

[A9] _____



Part 2 – Troubleshooting in Sun-Hwa (1 point each)

Login to Sun, using your own username and VLab password:

ssh cislab\\\$LOGNAME@sun-hwa

[Q10] There is some trouble on the island today that you need to troubleshoot and repair.
What exactly is the problem?

[A10] _____

[Q11] What command did you use to fix the problem on Sun-Hwa?

[A11] _____

[Q12] Was your fix a permanent fix on Sun-Hwa?

[A12] _____

[Q13] Benji needs your help. He created an *activities* directory on Sun-Hwa and added files for some of his favorite activities. Everything was fine until he started trying some of those new `chmod` commands he learned about in Lesson 7. Now, he can't remove his *bathing* file even though he owns it and it has write permission for the owner. He shows you the following output:

```
[CISLAB\simben90@sun-hwa ~]$ ls -l activities/
total 0
-rw-r--r--. 1 CISLAB\simben90 CISLAB\domain users 0 Oct 20 16:42 barking
-rw-r--r--. 1 CISLAB\simben90 CISLAB\domain users 0 Oct 20 16:42 bathing
-rw-r--r--. 1 CISLAB\simben90 CISLAB\domain users 0 Oct 20 16:42 easting
-rw-r--r--. 1 CISLAB\simben90 CISLAB\domain users 0 Oct 20 16:42 marking
-rw-r--r--. 1 CISLAB\simben90 CISLAB\domain users 0 Oct 20 16:42 playing
-rw-r--r--. 1 CISLAB\simben90 CISLAB\domain users 0 Oct 20 16:42 sleeping

[CISLAB\simben90@sun-hwa ~]$ rm activities/bathing
rm: cannot remove `activities/bathing': Permission denied
```

What single command should Benji use to enable him to remove files from his *activities* directory?

[A13] _____



Part 3 – Rock Collecting on Sun-Hwa (1 point each)



[Q14] On Sun-Hwa, a file named after an igneous rock was hidden somewhere in the `/usr/lib` branch of the UNIX file tree. The rock file contains your name (first and last) which you will see when you `cat` it out. What is the absolute pathname of this file?

[A14] _____

[Q15] On Sun-Hwa, what are the permissions, in numerical format, on your igneous rock file?

[A15] _____

[Q16] On Sun-Hwa, how many other files in the */usr/lib* branch of the UNIX file tree have the same name as your igneous rock file (not the full pathname, just the filename)?

[A16] _____



Part 4 – George Washington’s white horse section (1 point each)

[Q17] On Sun-Hwa or Opus, what is the absolute pathname for the */etc/passwd* file?

[A17] _____



Part 3 – Use Opus for the following questions (1 point each)

[Q18] Do a numeric sort of the numbers in */home/cis90/depot/randomints* and email the first 25 of them to rsimms on Opus using the **mail** command and a subject of “Practice Q18”. What single command line does all this (no ;’s)?

[A18] _____

[Q19] From your home directory, what single command (no ;’s) would create this this directory structure in your own home directory?

```
/home/cis90/simben $ tree the
the
├── rain
│   ├── in
│   │   ├── spain
│   │   │   ├── stays
│   │   │   │   ├── mainly
│   │   │   │   │   ├── in
│   │   │   │   │   │   ├── the
│   │   │   │   │   │   └── plain
└── 8 directories, 0 files
```

[A19] _____

[Q20] What single command (no ;'s) from your home directory would you use to populate the *plain* directory created above with two files named *ElizaDoolittle* and *ProfessorHiggins*?

```
/home/cis90/simben $ tree the
the
├── rain
│   ├── in
│   │   ├── spain
│   │   │   ├── stays
│   │   │   │   ├── mainly
│   │   │   │   │   ├── in
│   │   │   │   │   │   ├── the
│   │   │   │   │   │   │   └── plain
│   │   │   │   │   │   │       ├── ElizaDoolittle
│   │   │   │   │   │   │       └── ProfessorHiggins
```

8 directories, 2 files

[A20] _____

[Q21] From the *plain* directory shown above, what command would copy both the *ElizaDoolittle* and *ProfessorHiggins* files to your *bin/* directory?

[A21] _____

[Q22] From your home directory, what single command (no ;'s) could you use to create a file named *IShallBeFreeNo10* containing "I'm a poet, and I know it" on the first line and "Hope I don't blow it" on the second line in your *poems/* directory? To check your command, cat out your new file which should match Benji's output EXACTLY:

```
/home/cis90/simben $ cat poems/IShallBeFreeNo10
Yippie! I'm a poet, and I know it
Hope I don't blow it
```

[A22] _____

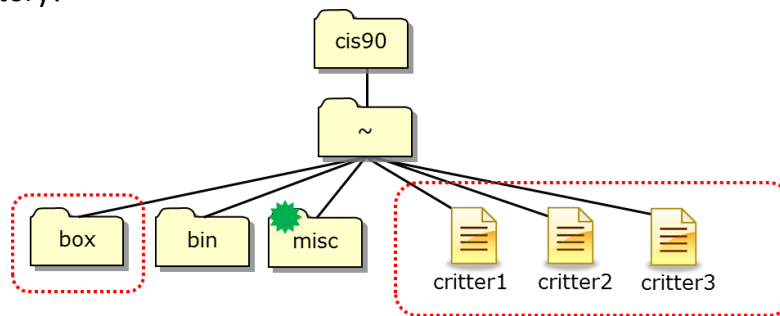
[Q23] From your home directory, what single command (no ;'s) could be used to remove all the files and directories created in Questions 19-22 above and nothing else?

This removal should include:

- *the/* directory in your home directory
- *IShallBeFreeNo10* in *poems/*
- *ElizaDoolittle* and *ProfessorHiggins* in *bin/*

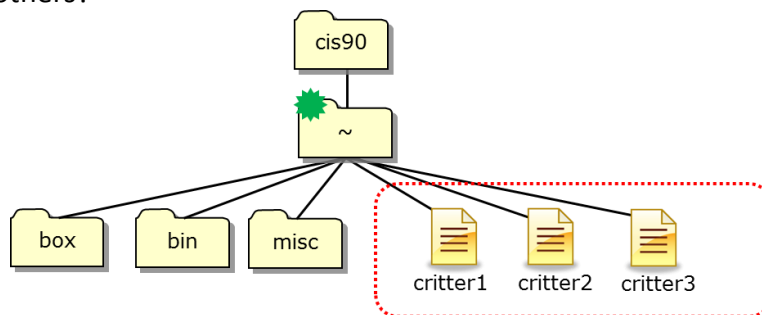
[A23] _____

[Q24] From the directory with the ✨ what command line, using a ; to separate commands, would create a directory named *box* and three files *critter1*, *critter2* and *critter3* in your home directory?




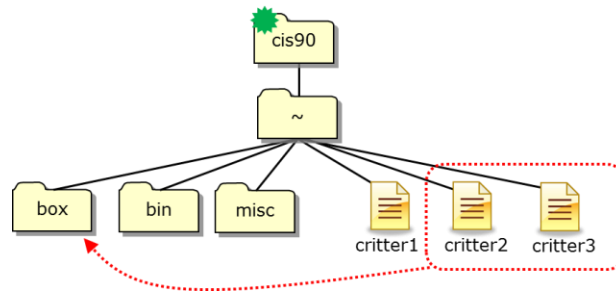
[A24] _____

[Q25] From the directory with the ✨ what single command (no ;'s) would set the permissions on the three critter files to be read/write for the user, and no permissions whatsoever for group and others?




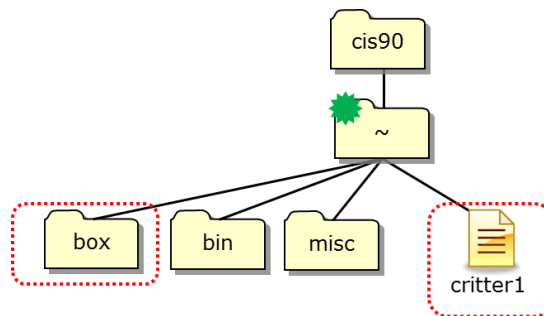
[A25] _____

[Q26] From the directory with the  what command would move just *critter2* and *critter3* to the new *box* directory in your home directory?



[A26] _____

[Q27] From the directory with the  what single command (no ;'s) would interactively remove *critter1*, the files in the *box* directory and the *box* directory?



[A27] _____

[Q28] Given the file *expressions* contains these two lines:

```
/home/cis90/simben $ cat expressions
1971+sqrt(10000)+2679+5
1/0
```

What complete command (no ;'s) using **bc** would

- input the math problems in *expressions*,
- **append** the calculated answers to the file *results*
- write any errors to the file *errors*?

[A28] _____

[Q29] Benji has the following file in his home directory:

```
/home/cis90/simben $ ls -l torbellino
-rw-rw-r-- 1 simben90 cis90 0 Apr  3 10:05 torbellino
```

If his umask value is 333 and he copies the *torbellino* file to *torbellino.bak*, what would the permissions be, in numerical form, on *torbellino.bak*?

[A29] _____

[Q30] What command would cause future directories to be created with:

- all permissions for the owner
- no permissions for group
- no permissions for others

[A30] _____

Extra credit

[Q31] What are the permissions, in numeric format, on the **mount** command?

[A31] _____

[Q32] On Sun-Hwa, what pipeline could you assemble that would use **find**, **sort**, and **uniq** commands to make a list of the names for all the igneous rock files in */usr/lib*? There should be no error messages and the output should match the following EXACTLY:

```
.Tuff  
.Scoria  
.Rhyolite  
.Pumice  
.Peridotite  
.Pegmatite  
.Obsidian  
.Granite  
.Gabbro  
.Diorite  
.Basalt  
.Andesite
```

[A32] _____

[Q33] On Opus, **cd** into */home/cis90/simben*

why does:

```
find -name treat* 2> /dev/null
```

only find one of the treat files,

yet:

```
find -name 'treat*' 2> /dev/null
```

finds multiple treat files?

[A33] _____